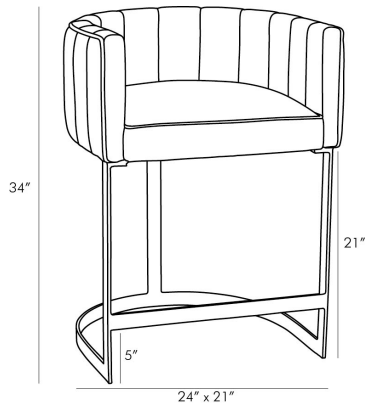


ARTERIOS

TATUM COUNTER STOOL



6884
H: 34 IN, W: 24 IN, D: 21 IN
Morel Leather, Antique Brass
Contract Suitable As Is

Drawing on the modernity of contemporary design, our Tatum Counter Stool showcases a modish yet timeless profile. The top-grain morel leather in combination with an antique brass modernizes the half-circle shape that echoes the design of traditional tub-style chairs. Also available as a bar stool (6883) or chair (6885).

APPEARANCE

| | |
|------------------|----------------|
| Material | Brass, Leather |
| Finish | Antique Brass |
| Finish Will Vary | true |
| Top Coat/Sealant | false |

DIMENSIONS

| | |
|------------------------|----------------------|
| Foot Print | W: 24 IN, D: 21 IN |
| Yardage To Reupholster | 2 |
| Seat Back Height | 8 IN |
| Seat | W: 20 IN, D: 19.5 IN |
| Seat Height | 24 IN |
| Seat | W: 20 IN, D: 19.5 IN |

SHIPPING

| | |
|-----------------------|------------------------------|
| Shipping Requirements | TruckShip |
| Product Weight | 42 LBS |
| Gross Weight 1 | 58.5 LBS |
| Shipping Box 1 | H: 34 IN, L: 28 IN, W: 25 IN |

ADDITIONAL INFO

| | |
|-------------------------|----------------------|
| Fabric Composition | 100% Leather |
| Fabric Double Rub Count | N/A |
| Fabric Compliancy | NFPA-260, TB117-2013 |

CONTRACT

| | |
|------------------------------|----------------------------|
| Contract Suitable | true |
| Contract Textile Suitability | High Traffic/Public Spaces |
| Swatch Number | T15SW, T158X8 |